

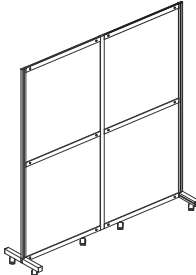
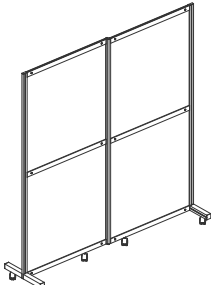
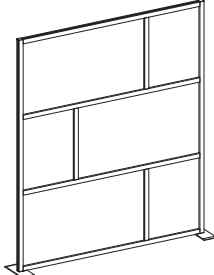
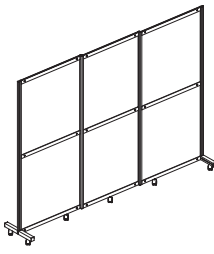
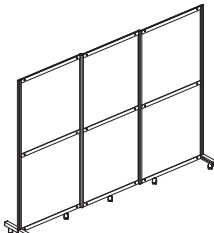
RECOMMENDATIONS FOR POST-COVID-19 REOPENING
WORKPLACE PLAYBOOK



PORTABLE ROOM DIVIDERS



Hinged folding and fixed models, 2 and 3 panels wide, casters or flat base plates. Extruded aluminum frames with white Sintra® panels. Clear acrylic optional. Custom configuration available.

	Product Number	Description	List Price
	PRDF6873	68"w x 73"h 2 Panel Fixed Portable Room Divider with Casters	\$2,250
	PRD6873	68"w x 73"h 2 Panel Hinged Folding Portable Room Divider with Casters	\$2,595
	PRDF7284	72"w x 84"h 1 Panel Fixed Portable Room Divider	\$2,650
	PRDF9873	3 Panel Fixed Portable Room Divider with Casters	\$2,480
	PRD9873	3 Panel Hinged Folding Portable Room Divider with Casters	\$2,950

HEALTHFIRST® INFECTION PREVENTION CENTERS





healthFIRST® products promote the use of personal protection products, reducing the risk of cross contamination. Models for public waiting and reception areas include dispensers for sanitizer, masks and tissues.

Magazine/literature racks, trash receptacles and poster holders for health-related messages available. Choice of colors and wood trim finishes.

Supplies not included with any healthFIRST model.

	Product Number	Description	List Price
	ICF-2	Freestanding Infection Prevention Center with Mask, Tissue, and Sanitizer Compartments	\$1,144
	ICF-2TX	Freestanding Infection Prevention Center with Waste Receptacle, Mask, Tissue, and Sanitizer Compartments	\$1,569
	ICF-3	Freestanding Infection Prevention Center with Tissue and Sanitizer Compartments	\$655

	<p>IC2</p>	<p>Wall Mounted Infection Prevention Center with Mask + Glove Compartments</p> <p>Resupply from the sides.</p>	<p>\$202</p>
	<p>ICP-2</p>	<p>Wall Mounted Infection Prevention Center with Sanitizer, Glove + Mask Compartments</p> <p>Front hinged door to access supplies, locking option available.</p>	<p>\$491</p>

TABLETOP PARTITIONS



Tabletop Partitions are ideal for workstations and work environments in support of physical distancing.

Available in clear acrylic, solid materials and fabrics in 3 base styles; acrylic, powder coated steel and center rod mount.



Acrylic Base






Rod Base

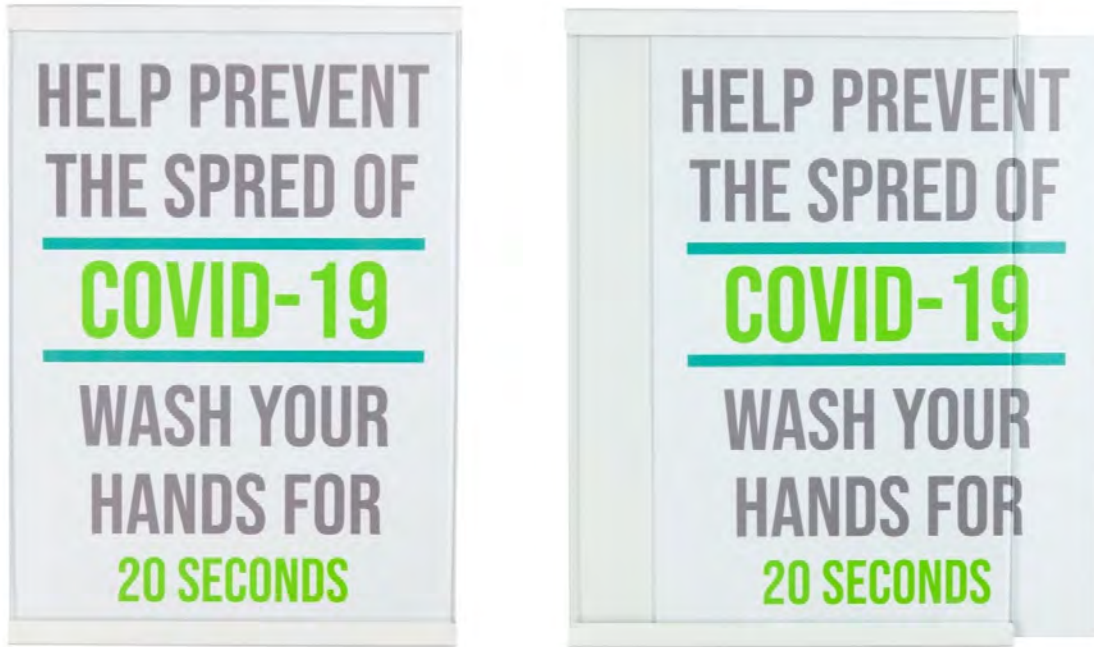


Brackets, powder coated steel



	Product Number	Description	List Price
	TTP3624	Tabletop Partition 1/4" Acrylic, with or without transaction pass through. 36"W x 24"H Flat Base, Rod Base, or RTF Base.	\$388
	TTPA3624	Tabletop Partition 3/16" Acrylic, with or without transaction pass through. 36"W x 24"H Acrylic base.	\$202
	TTPF2418	Tabletop Partition Fabric 24"W x 18"H Flat Base, Rod Base, or RTF Base.	\$402



INFECTION PREVENTION SIGNAGE + SIGN HOLDERS



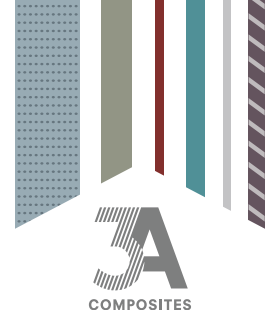
ClinArt sign frames in multiple sizes. Slide in, reversable and removable. Custom graphics available.



Frameless magnetic or double tape mount.

	Product Number	Description	List Price
	SNG1014	Frameless COVID Sign 12"W x 12"H Magnetic or 2mm Sintra	\$72
	RG1824	Removable Graphic Board Holder with Glass Front 18"W x 24"H	\$261

Cleaning and Disinfecting SINTRA[®], DIBOND[®], & LUMEX[®] G



The safety of our customers, employees, and facilities is always of primary importance, and in light of the fluid situation regarding COVID-19 we are closely monitoring the latest safety, infection control and cleaning protocols recommended by global experts, including the Centers for Disease Control & Prevention (CDC), the World Health Organization (WHO), and Occupational Safety and Health Administration (OSHA). While our products do not pose harm when handling, we have created a guideline for cleaning and disinfecting SINTRA, DIBOND and LUMEX materials.

SINTRA, DIBOND & LUMEX G present relatively non-adherent, inert surfaces to soil & bacteria. If needed, a variety of methods for cleaning and disinfecting are available. Most commercially available cleaners and disinfectants can be used; however, please note the following recommendations.

CLEANING & DISINFECTING SINTRA AND DIBOND

DO NOT USE:

- Wire brushes, steel wool, sandpaper, abrasives or other similar cleaning tools which will mechanically abrade the surface
- Commercial cleaners/disinfectants which contain abrasive agents or those that contain ketones or aldehydes

COMMON DISINFECTANTS:

- Alcohols - Denatured alcohol (ethanol), Isopropyl (rubbing) alcohol, Methanol (wood alcohol) are acceptable
- Dilutions of chlorine bleach (as recommended by the manufacturer) are acceptable

CLEANING & DISINFECTING LUMEX G

DO NOT:

- Use abrasives or high alkaline cleaners, those with ammonia, or any solvent-based cleaners
- Use scrapers, squeegees or razors
- Leave cleaning liquid on sheet for long periods, wash immediately
- Apply cleaners in direct sunlight or at elevated temperatures

RECOMMENDED CLEANING:

- Use soft, clean sponges and cloths for application of cleaners and for washing/rinsing
- Use hydrogen peroxide or isopropyl alcohol for disinfecting
- Use chlorine bleach per manufacturers' recommendation for dilution
- Use a plastic cleaner or mild detergent and water with a soft cloth

****For all 3A Composites materials, it is recommended practice to first test an inconspicuous area before use on a large scale.***

For more information, please contact your local sales representative or our help desk:

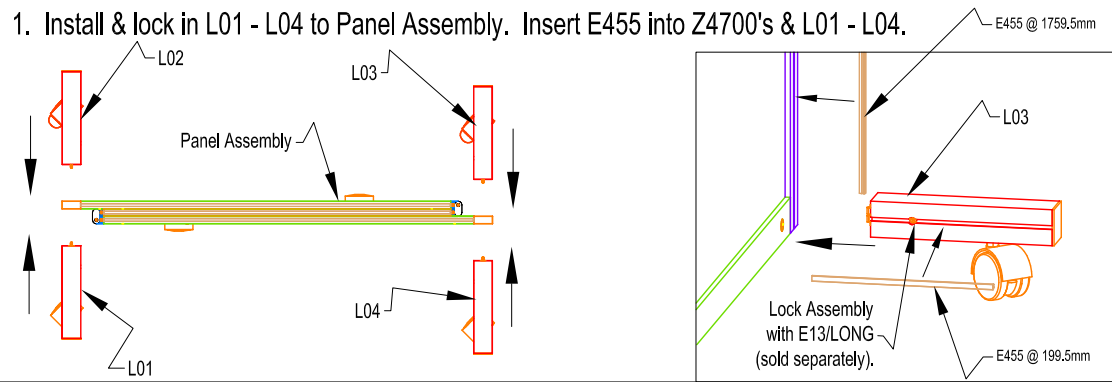
3A Composites USA

info.usa@3acomposites.com

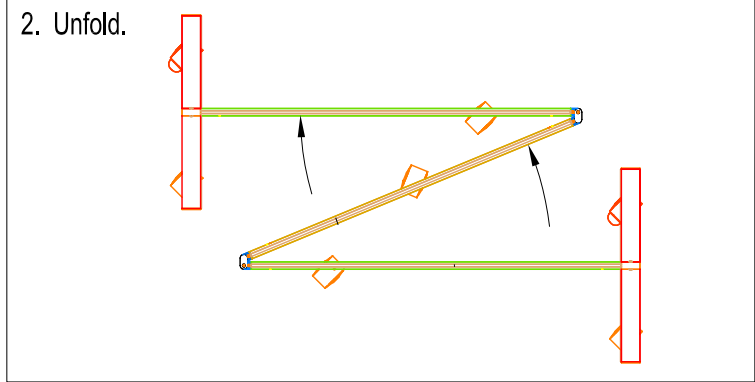
800.626.3365

Setup Instructions

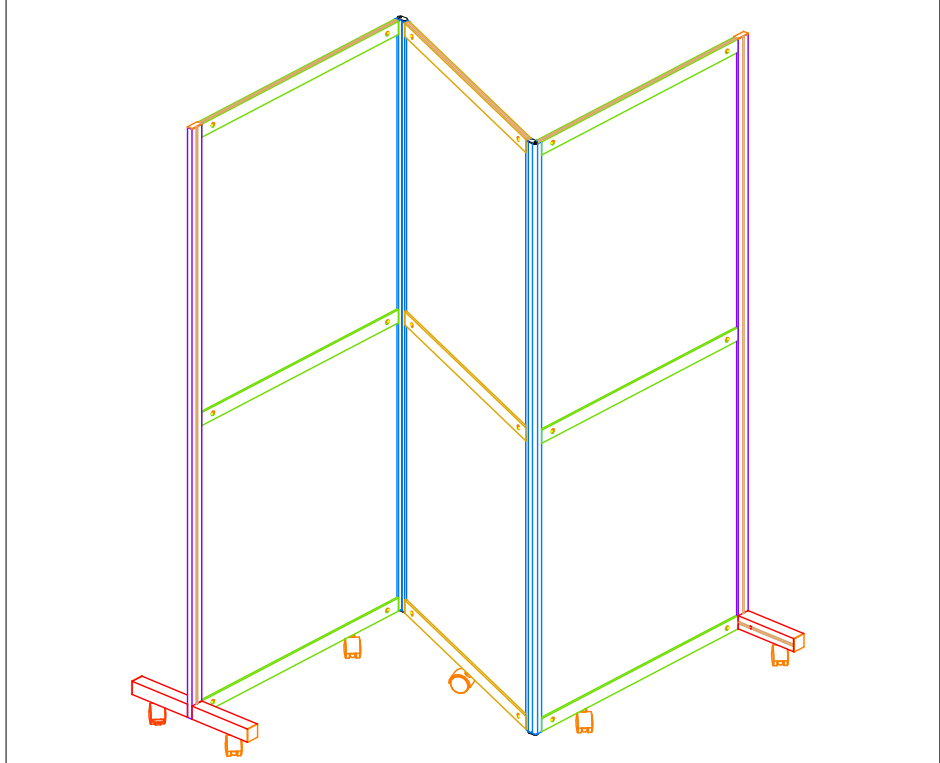
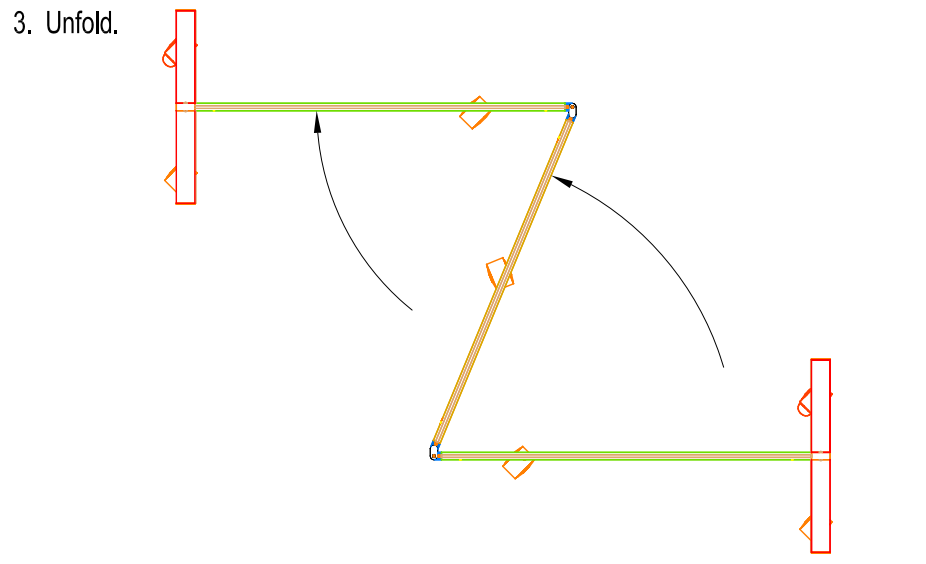
1. Install & lock in L01 - L04 to Panel Assembly. Insert E455 into Z4700's & L01 - L04.



2. Unfold.

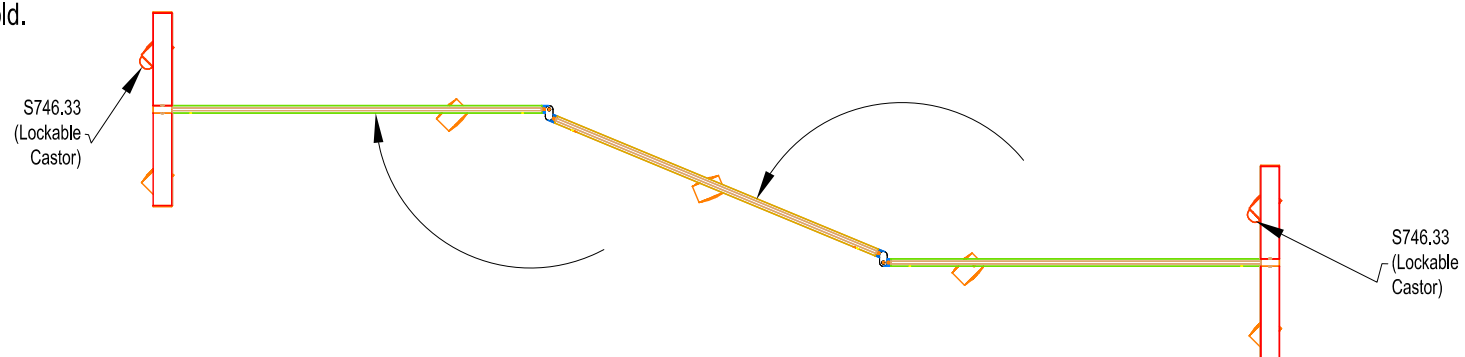


3. Unfold.



Setup Instructions

4. Unfold.



5. Unfold & Lock (2) S746.33 Castors

